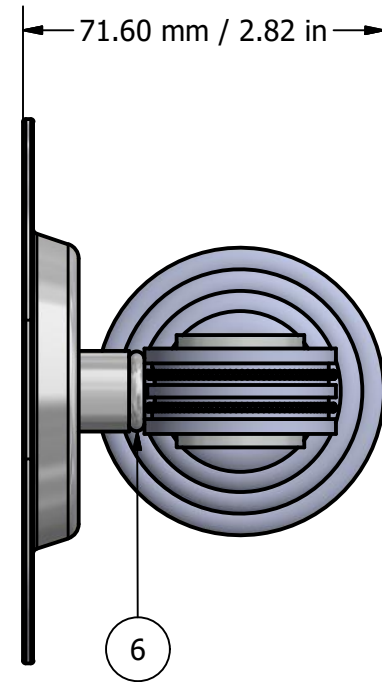
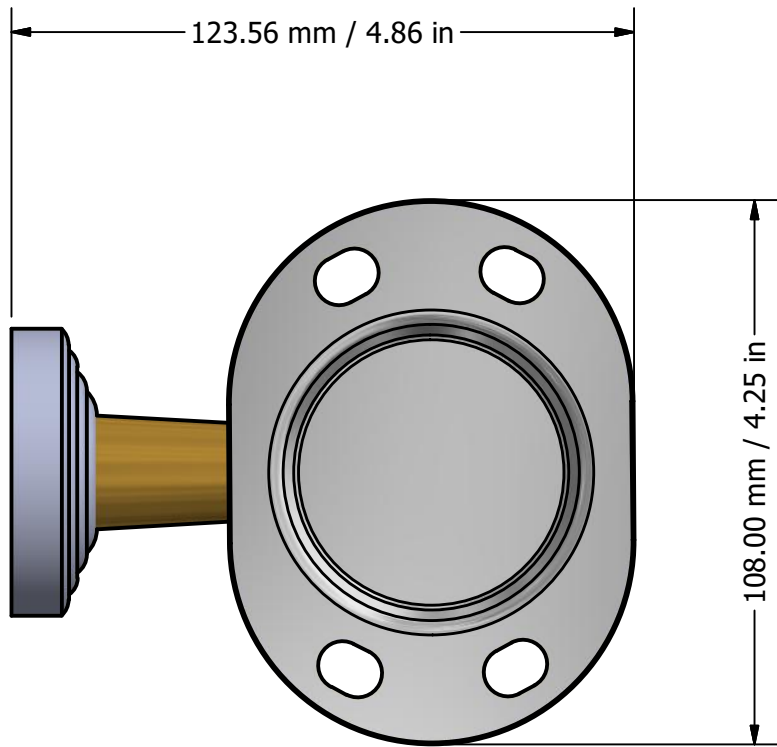
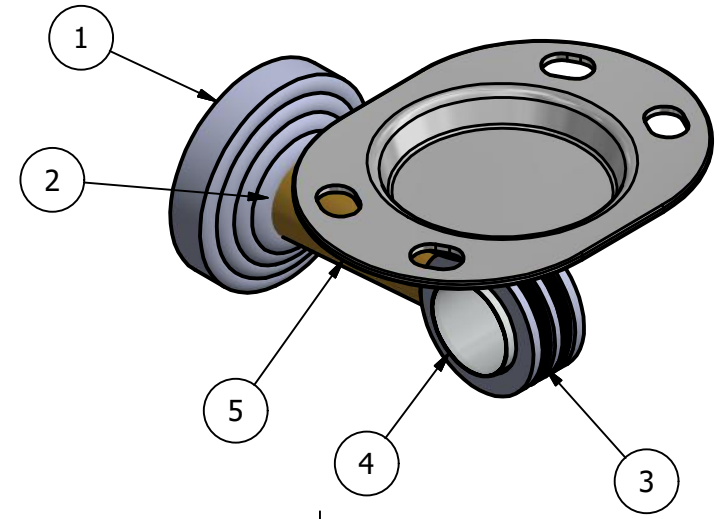


PARTS LIST			
ITEM	QTY	PART NUMBER	DESCRIPTION
1	1	BPWV	BACKPLATE
2	1	CL-TB	POST
3	1	RGDTD-1	RING WITH NEW SIZE
4	1	AC-HHUB	ACRYLIC POST
5	1	HROVT	HOLDER
6	1	CRRD-12	CHECK RING

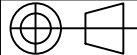


APPROVED FOR PRODUCTION


By: RICHARD PAUL
Date: 10-15-18

UNLESS OTHERWISE SPECIFIED	
.X	± .3mm
.XX	± .15mm
.XXX	± .008mm

UNIT IS IN MM.



THIRD ANGLE PROJECTION

DRAWN	10-15-18	IM	MATERIAL:	BRASS	FINISH	TBD
CHECKED	10-15-18	P.D.	DESCRIPTION:		QTY	TBD
APPROVED	10-15-18	R.A.	Pacific Beach Collection Tumbler and Toothbrush Holder w/ Dotted Accent		DRAWING NO.	REV
					PB-26D	0
					SCALE	1.5:1 SHEET: 1 OF 1 A4